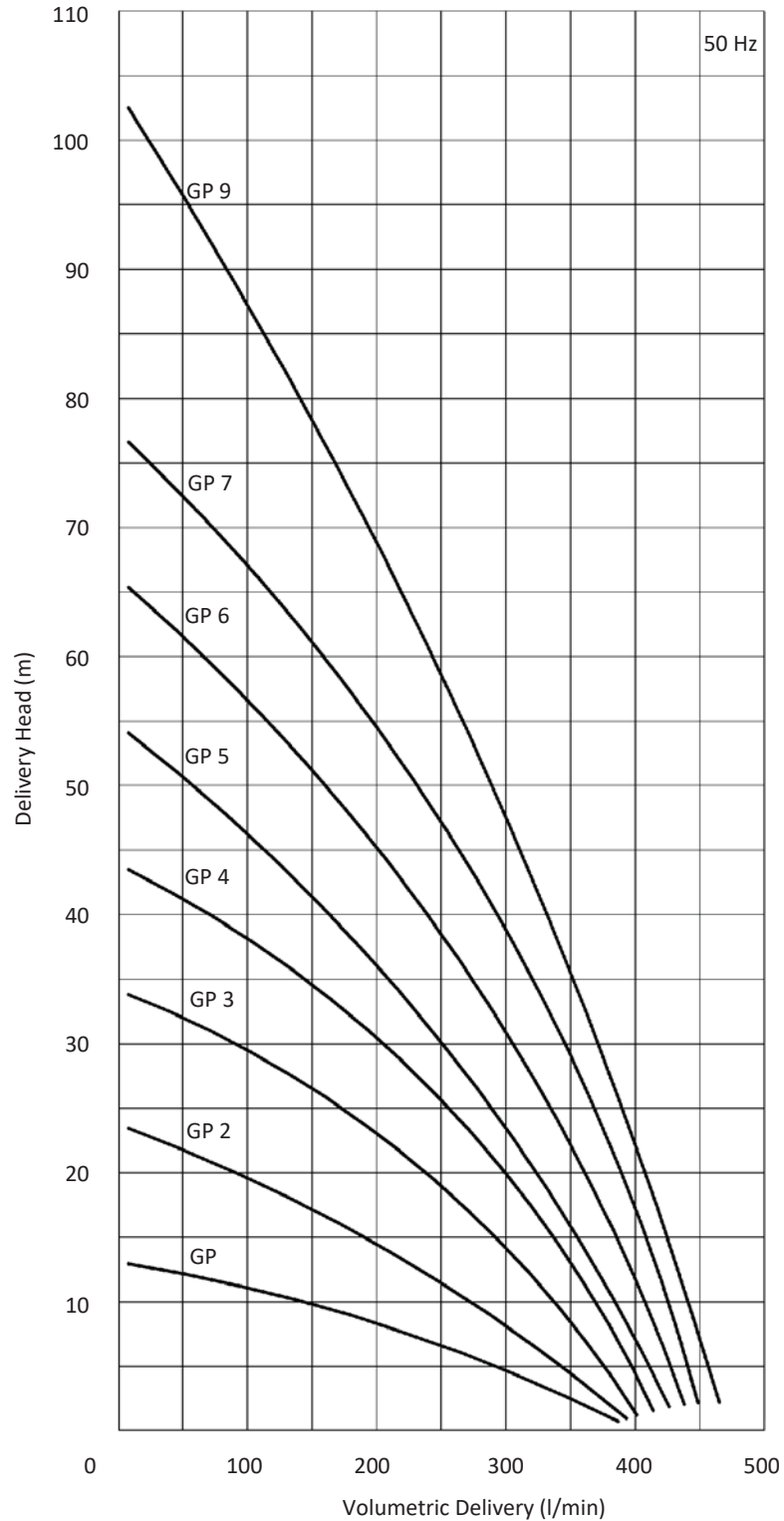


GP PUMP



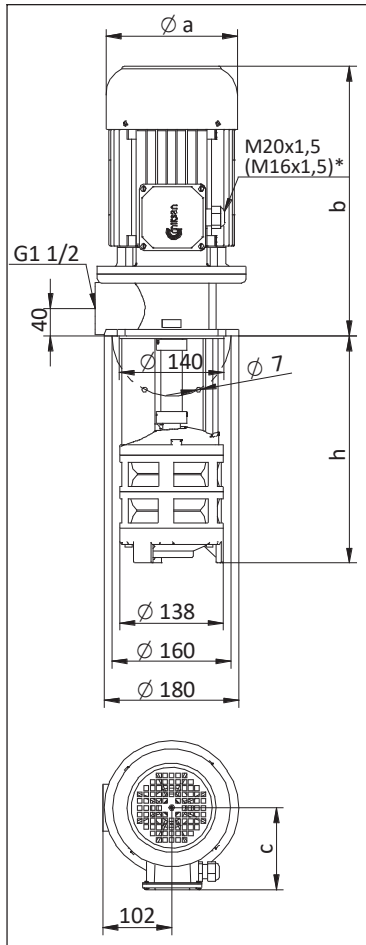
Performance Curve



Applications:

- Machine tools especially on grinding operations,
- Cutting, turning, milling, boring applications,
- Filtration systems,
- Circulation systems. GP Pumps are used for pumping of cutting / cooling fluids.

DIMENSIONS & NOMINAL VALUES



TYPE	Depth of immersion h (mm)	a b c			Weight kg	Power kW	Voltage V(Δ/Y)	Frequency Hz	Rated current A	Speed rpm
		mm								
GP /200	200	157	319	118	23.5	1.1	230/400	50	4.16/2.4	2890
GP /270	270				25.0					
GP /350	350				26.0					
GP /440	440				27.5					
GP /550	550				29.5					
GP -2/190	190	176	338	139	30.0	1.5	230/400	50	5.72/3.3	2910
GP -2/250	250				30.5					
GP -2/320	320				32.0					
GP -2/400	400				33.0					
GP -2/490	490				34.5					
GP -2/600	600				36.5					
GP -3/240	240	176	363	139	36.0	2.2	230/400	50	7.79/4.5	2905
GP -3/300	300				36.5					
GP -3/370	370				37.5					
GP -3/450	450				39.0					
GP -3/540	540				40.5					
GP -3/650	650				42.0					
GP -4/290	290	176	363	139	39.0	2.2	230/400	50	7.79/4.5	2905
GP -4/350	350				39.5					
GP -4/420	420				40.5					
GP -4/500	500				42.0					
GP -4/590	590				43.5					
GP -4/700	700				45.0					
GP -5/340	340	194	398	150	48.0	3.0	230/400	50	10.39/6.0	2905
GP -5/400	400				48.5					
GP -5/470	470				50.0					
GP -5/550	550				51.0					
GP -5/640	640				52.5					
GP -5/750	750				54.5					
GP -6/390	390	194	398	150	54.0	4.0	230/400	50	13.68/7.9	2900
GP -6/450	450				54.5					
GP -6/520	520				56.0					
GP -6/600	600				57.0					
GP -6/690	690				58.5					
GP -7/440	440	218	412	163	61.5	5.5	230/400	50	17.15/9.9	2900
GP -7/500	500				62.0					
GP -7/570	570				63.0					
GP -7/650	650				64.5					
GP -7/740	740				66.0					
GP -9/540	520	218	412	163	67.5	5.5	230/400	50	17.15/9.9	2900
GP -9/600	600				68.0					
GP -9/670	670				69.0					
GP -9/750	750				70.5					

* M16x1,5 cable gland is used on GP 1 pump.

** Pump dimensions according to EN 12157.

*** The performance curves are based on 1 mm²/s (cSt) kinematic viscosity values and 997 kg/m³ density

**** Curve tolerance according to ISO 9906:2012 Grade 3B.

Fluid Specifications:

- Coolants,
- Cutting oils,
- Grinding oils,
- Water,
- Chip contains liquids (max. 8mm)
- Fluid temperature 0...80 °C
- Kinematic viscosity 1...90 mm²/s

Materials:

- Pump body : Cast iron - DIN GG 25
- Volute : Cast iron - DIN GG 25
- Impeller : Brass
- Pump shaft : Engineering steel - AISI 1040 (DIN C35)
- Electric motor : 3 phase induction motor IE3 - 2 pole
Protection degree IP 55