



HC PUMP

Applications:

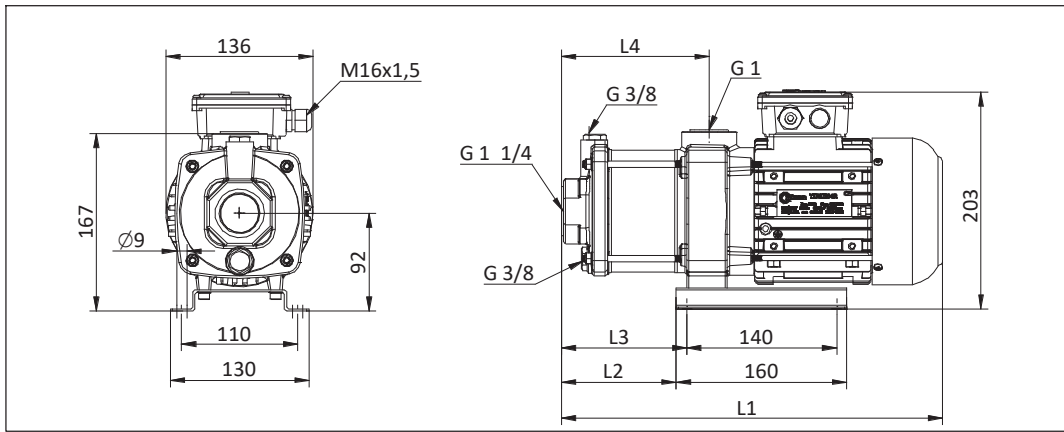
- Cutting, turning, milling, boring, grinding and similar applications of the machine tools,
- Erosion machines,
- Circulation systems. HC Pumps are used for pumping of cutting / cooling fluids.

Fluid Specifications:

- Coolants,
- Cutting oils,
- Grinding oils,
- Water,
- Fluid temperature 0...80 °C
- Kinematic viscosity 1...30 mm²/s

Materials:

Pump body	: Cast iron - DIN GG 25
Inlet body	: Cast iron - DIN GG 25
Diffuser	: Stainless steel - DIN 4301 (AISI 304)
Impeller	: Stainless steel - DIN 4301 (AISI 304)
Stage cover	: Stainless steel - DIN 4301 (AISI 304)
Pump shaft	: Stainless steel - DIN 4401 (AISI 316)
O-ring	: Viton
Mechanical seal	: C - SiC - Viton TC - TC - Viton (Optional)
Electric motor	: 3 phase induction motor - 2 pole, Protection degree IP 55



DIMENSIONS & NOMINAL VALUES

TYPE	L4	L3	L2	L1	Weight kg	Power kW	Voltage V(Δ/Y)	Frequency Hz	Rated current A	Speed rpm
	mm									
HC/02	137	116	106	356	11.8	0.37	230/400	50	1.84/1.05	2790
HC/03	158	137	127	377	13.1	0.55			2.25/1.3	2780
HC/04	179	158	148	398	15.0	0.75			3.12/1.8	2820
HC/05	200	179	169	419	15.1	1.10			4.85/2.8	2720
HC/06	221	200	190	440	15.3	1.10			4.85/2.8	2720
HC/07	242	221	211	461	15.5	1.10			4.85/2.8	2720

- * The performance curves are based on 1 mm²/s (cSt) kinematic viscosity values and 997 kg/m³ density
- ** Curve tolerance according to ISO 9906:2012 Grade 3B.
- *** HC/05, HC/06 and HC/07 pumps have IE2 motors. According to IEC 60034-30-1:2014 standard these pumps are excluded from efficiency class since their motors are completely integrated into the pump.

Performance Curve

