



HCD PUMP

Applications:

- Cutting, turning, milling, boring, grinding and similar applications of the machine tools,
- Especially used for deep hole boring operations due to supply 25 bar pressure,
- Circulation systems. HCD Pumps are used for pumping of cutting / cooling fluids.

Fluid Specifications:

- Coolants,
- Cutting oils,
- Grinding oils,
- Water,
- Fluid temperature 0...80 °C
- Kinematic viscosity 1...30 mm²/s

Materials:

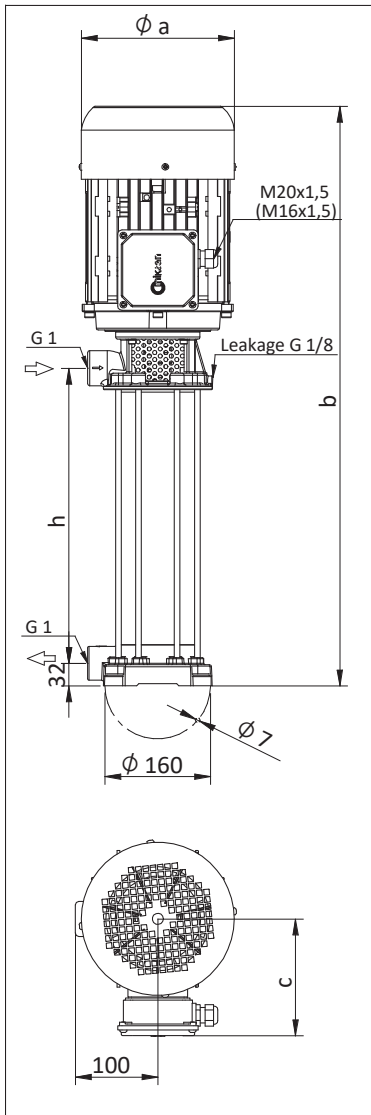
Pump body	: Cast iron - DIN GG 25
Cover	: Cast iron - DIN GG 25
Diffuser	: Stainless steel - DIN 4301 (AISI 304)
Impeller	: Stainless steel - DIN 4301 (AISI 304)
Strainer	: Stainless steel - DIN 4301 (AISI 304)
Pump shaft	: Stainless steel - DIN 4401 (AISI 316)
O-ring	: Viton
Mechanical seal	: C - SiC - Viton TC - TC - Viton (Optional)
Electric motor	: 3 phase induction motor IE3 - 2 pole, Protection degree IP 55

* M16x1,5 cable gland is used on HCD/08 pump.

** The performance curves are based on 1 mm²/s (cSt) kinematic viscosity values and 997 kg/m³ density

*** Curve tolerance according to ISO 9906:2012 Grade 3B.

DIMENSIONS & NOMINAL VALUES



TYPE	Length h (mm)	a b c			Weight kg	Power kW	Voltage V(Δ/Y)	Frequency Hz	Rated current A	Speed rpm
		mm								
HCD/08	316	157	634	118	22.0	1.1	230/400	50	4.16/2.4	2890
HCD/10	316	176	680	139	29.0	2.2	230/400		7.79/4.5	2905
HCD/12	420	176	784	139	31.0	2.2	230/400		7.79/4.5	2905
HCD/15	420	194	816	150	37.5	3.0	230/400		10.39/6.0	2905
HCD/17	524	194	920	150	39.5	3.0	230/400		10.39/6.0	2905
HCD/20	524	194	920	150	42.5	4.0	230/400		13.68/7.9	2900
HCD/22	628	194	1024	150	44.5	4.0	230/400		13.68/7.9	2900
HCD/25	628	194	1024	150	45.0	4.0	230/400		13.68/7.9	2900

Performance Curve

