



HED PUMP

Applications:

- Cutting, turning, milling, boring, grinding and similar applications of the machine tools,
- Especially used for deep hole boring operations due to supply 23,5 bar pressure,
- Circulation systems. HED Pumps are used for pumping of cutting / cooling fluids.

Fluid Specifications:

- Coolants,
- Cutting oils,
- Grinding oils,
- Water,
- Fluid temperature 0...80 °C
- Kinematic viscosity 1...30 mm²/s

Materials:

Pump body	: Cast iron - DIN GG 25
Cover	: Cast iron - DIN GG 25
Diffuser	: Stainless steel - DIN 4301 (AISI 304)
Impeller	: Stainless steel - DIN 4301 (AISI 304)
Strainer	: Stainless steel - DIN 4301 (AISI 304)
Pump shaft	: Stainless steel - DIN 4401 (AISI 316)
O-ring	: Viton
Mechanical seal	: C - SiC - Viton TC - TC - Viton (Optional)
Electric motor	: 3 phase induction motor IE3 - 2 pole, Protection degree IP 55

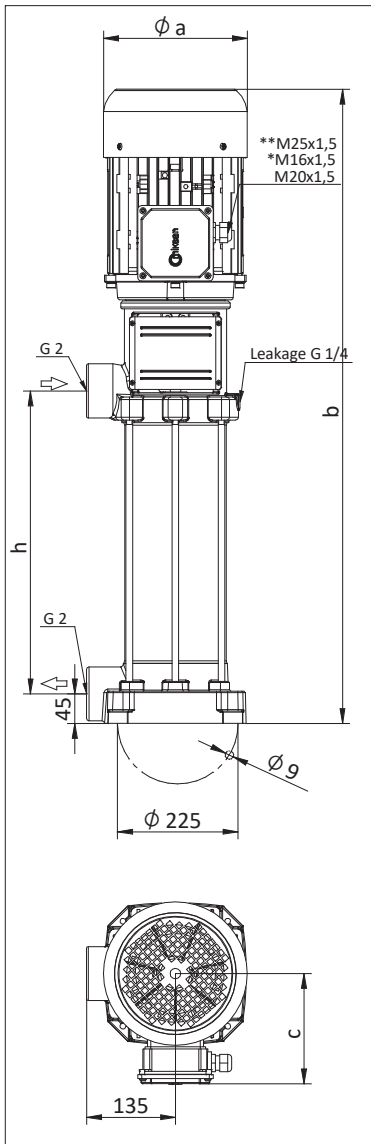
* M16x1,5 cable gland is used on HED 02 and HED 03 pumps.

** M25x1,5 cable gland is used on HED 16, HED 18 and HED 20 pumps.

*** The performance curves are based on 1 mm²/s (cSt) kinematic viscosity values and 997 kg/m³ density

**** Curve tolerance according to ISO 9906:2012 Grade 3B.

DIMENSIONS & NOMINAL VALUES



TYPE	Length			Weight kg	Power kW	Voltage V(Δ/Y)	Frequency Hz	Rated current A	Speed rpm
	h (mm)	a	b						
HED 02	269	157	683	118	32.0	230/400	50	4.16/2.4	2890
HED 03	269	176	705	139	36.0	230/400		5.72/3.3	2910
HED 04	269	176	730	139	39.5	230/400		7.79/4.5	2905
HED 05	269	194	771	150	46.0	230/400		10.39/6.0	2905
HED 06	350	194	852	150	47.5	230/400		10.39/6.0	2905
HED 07	350	194	852	150	48.0	230/400		10.39/6.0	2905
HED 08	350	194	852	150	51.0	230/400		13.68/7.9	2900
HED 10	460	218	1074	163	59.0	230/400		17.15/9.9	2900
HED 12	460	218	1074	163	59.5	230/400		17.15/9.9	2900
HED 14	568	258	1186	177	89.5	400 Δ		14.0	2940
HED 16	568	258	1186	177	90.0	400 Δ		14.0	2940
HED 18	676	258	1294	177	93.0	400 Δ		14.0	2940
HED 20	676	258	1294	177	103.0	400 Δ		19.7	2930

Performance Curve

